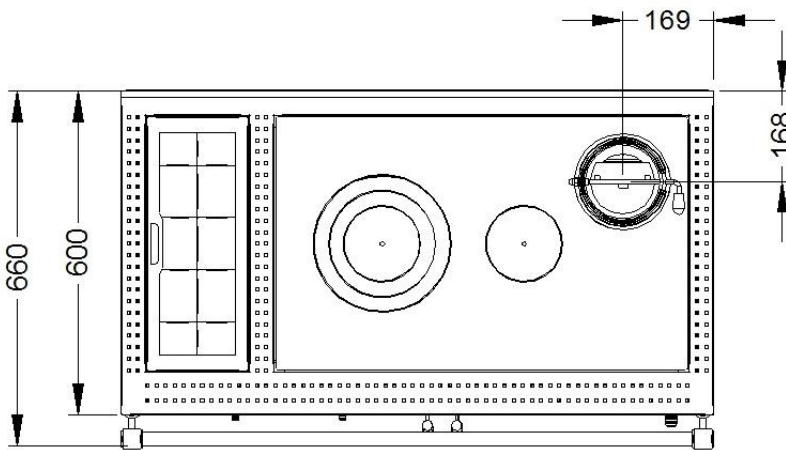
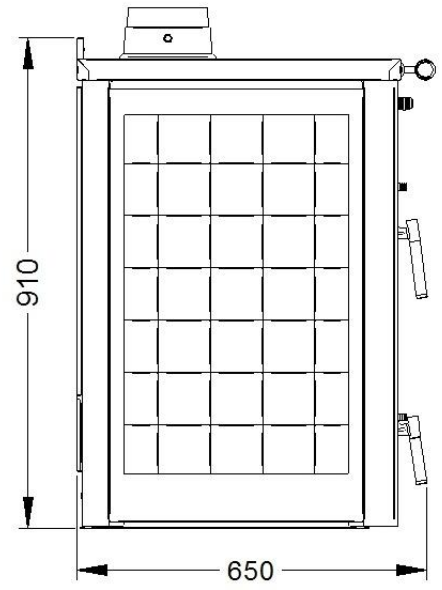
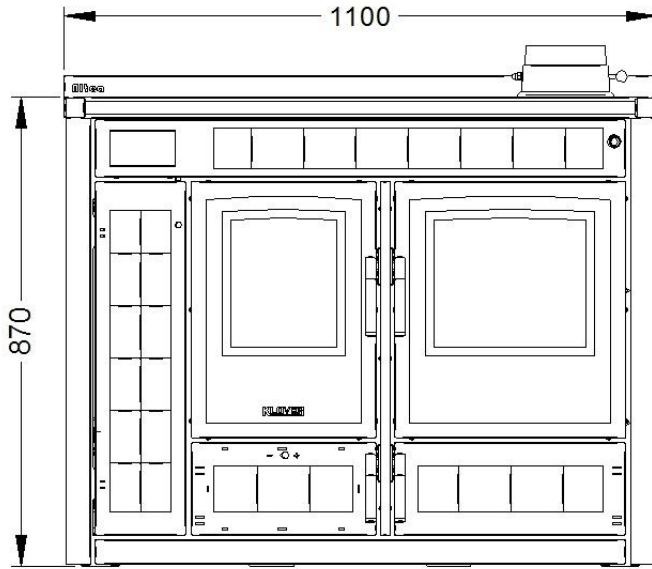
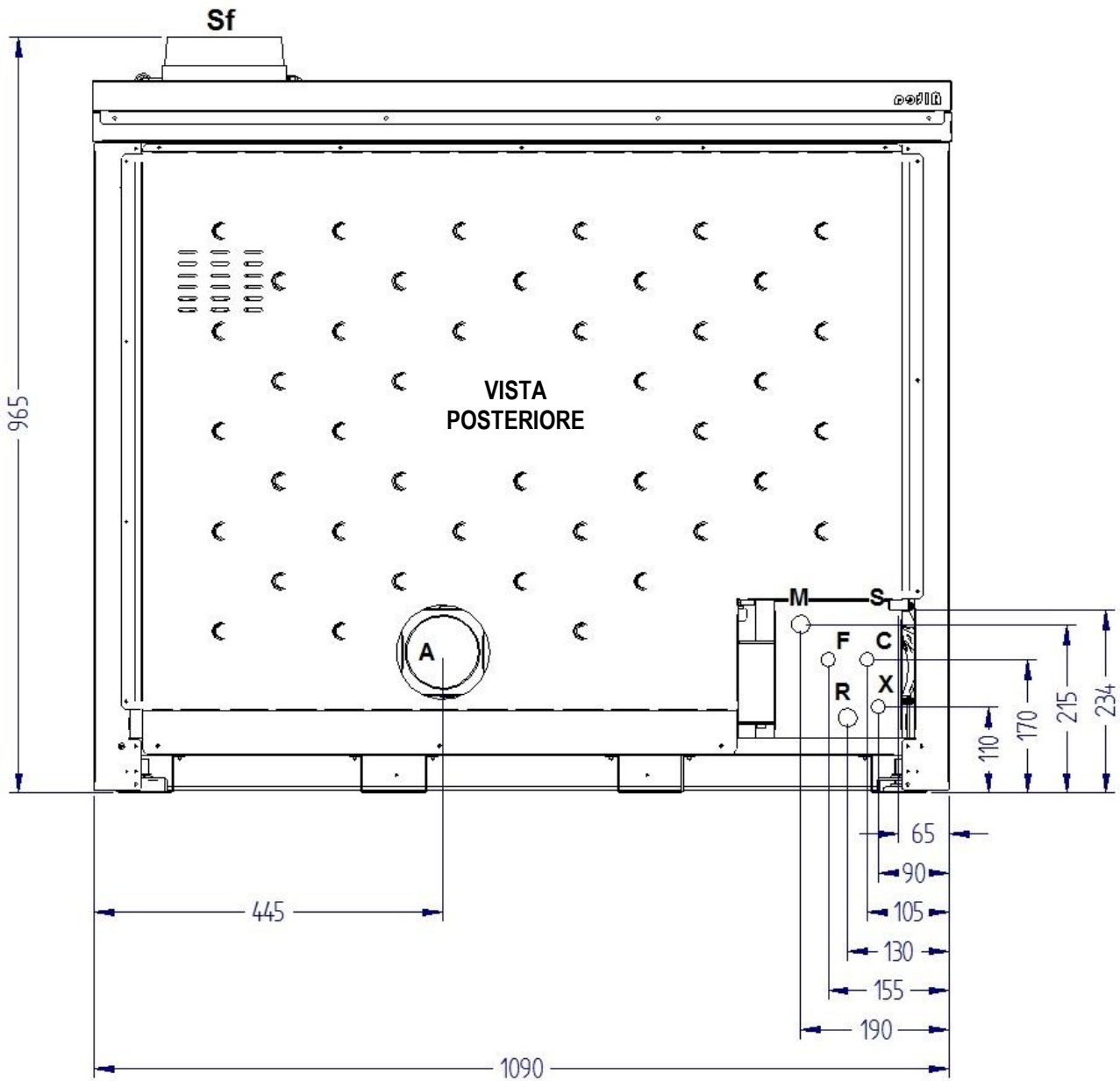


# Overall dimensions



Connections data sheet



Description of connections	
M = System Delivery	3/4" F
R = System Return	3/4" M
F = Domestic cold water inlet (on prepared models only) and boiler unit and system load	1/2" M
C = Domestic hot water outlet (on prepared models only)	1/2" M
X = Safety valve drain	1/2" F
S = Boiling discharge	3/4" M
A = Intake pipe	100 mm
Sf = Flue gas outlet	150 mm M