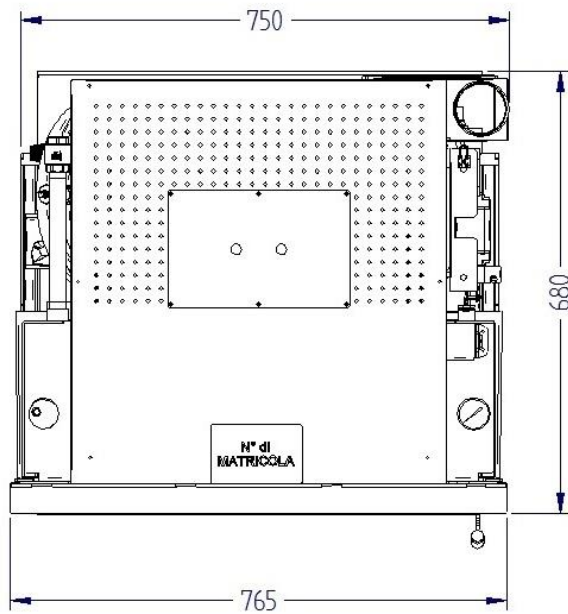
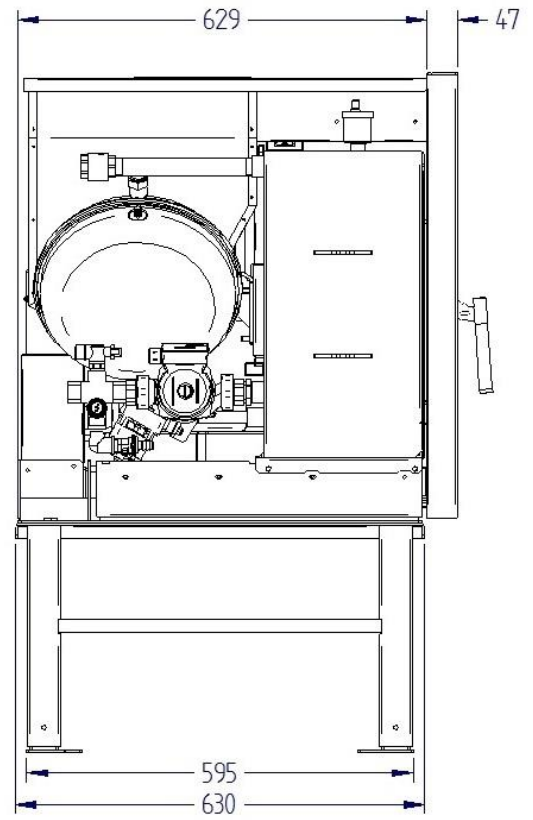
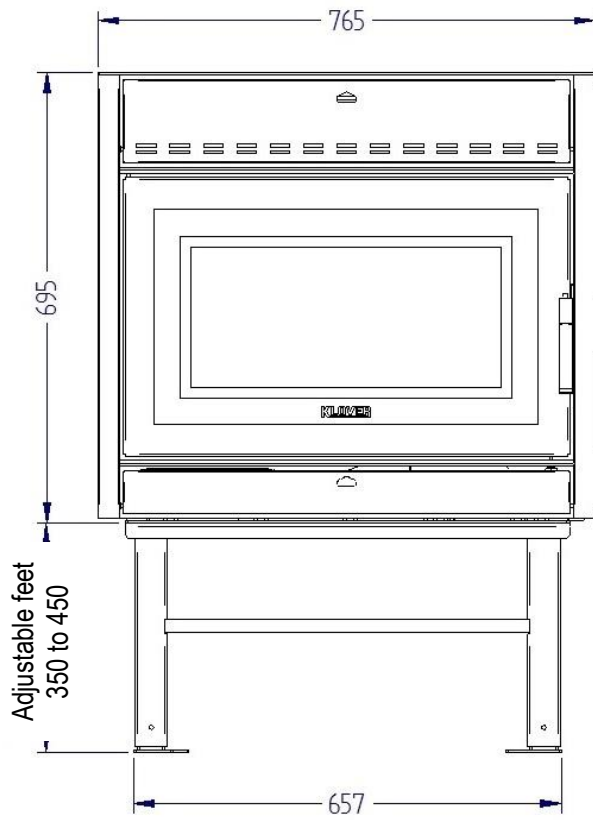
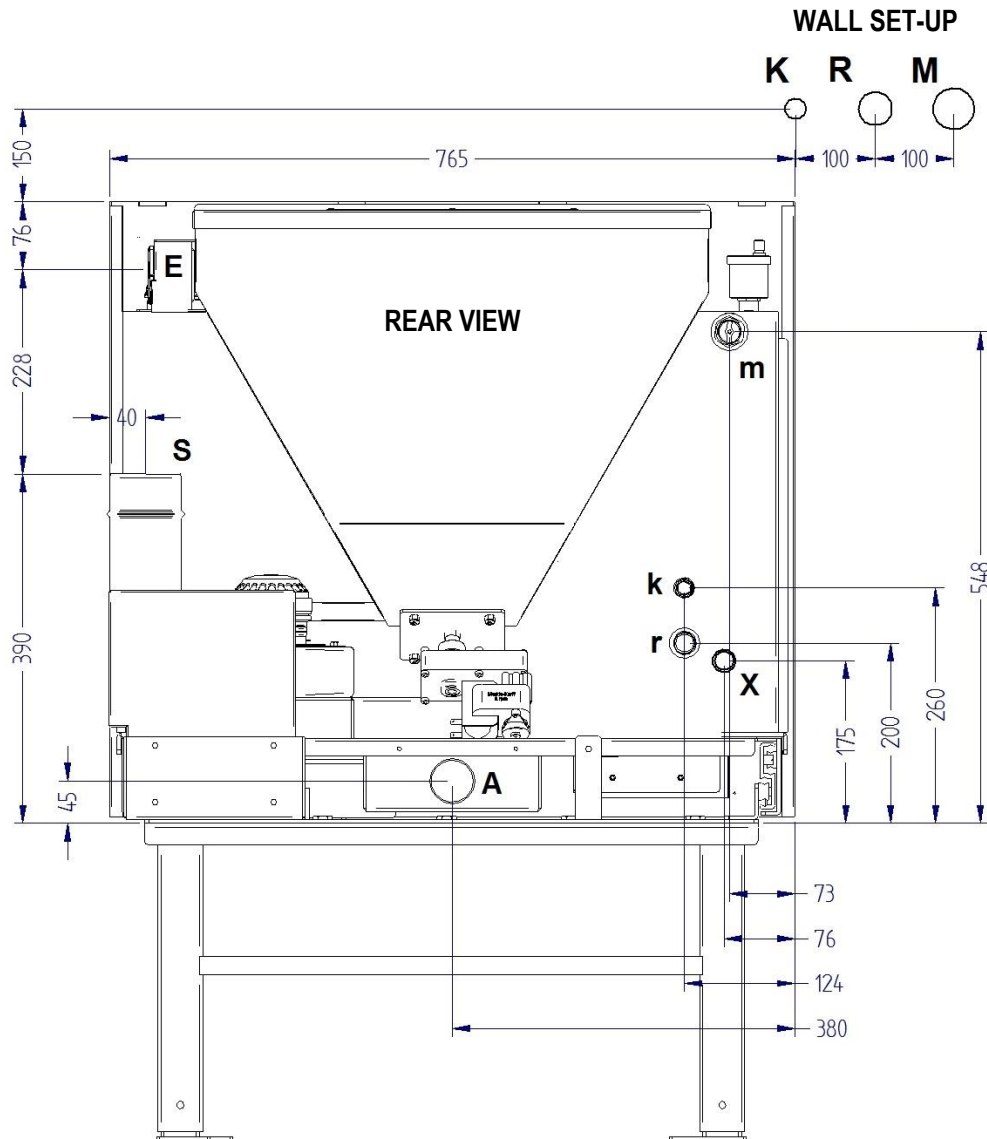


Overall dimensions



Connections data sheet



Description of connections

M = System delivery (measures hose connections supplied)	3/4" M
R = System return (measures hose connections supplied)	3/4" M
K = System load (measures hose connections supplied)	1/2" M
m = System delivery	1" M
r = System return	1" M
k = System load	1/2" M
X = Safety valve drain	1/2" F
A = Intake pipe	50 mm
S = Flue gas outlet	80 mm M
E = Electricity connection	