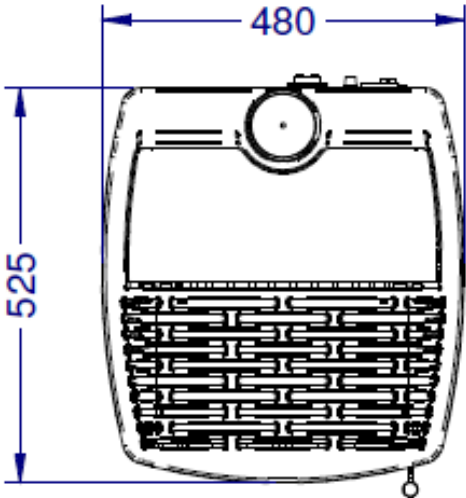
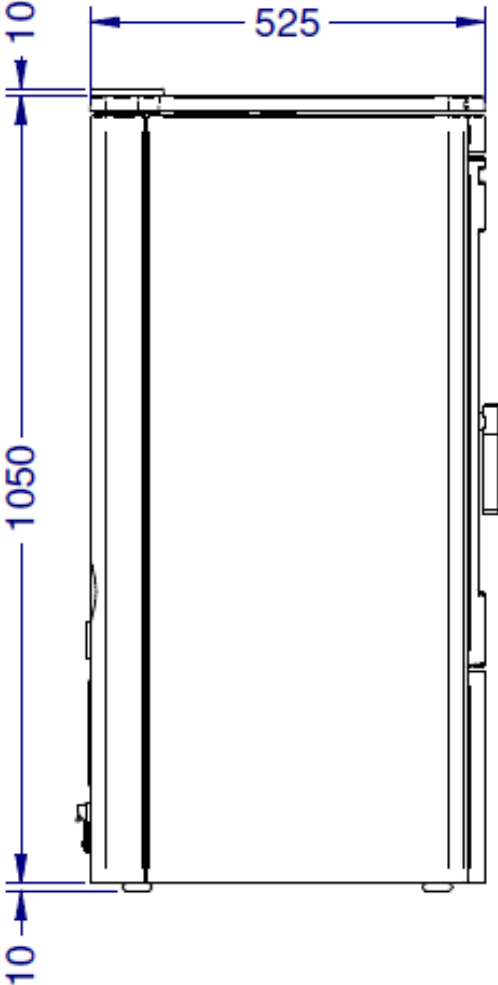
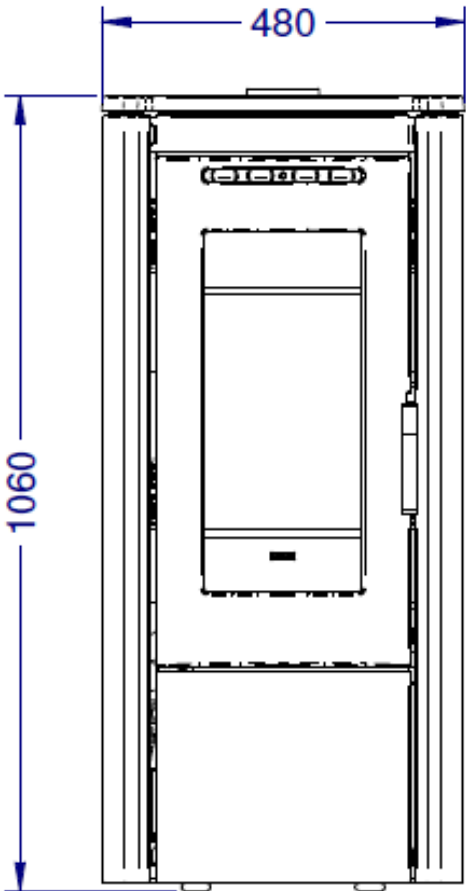
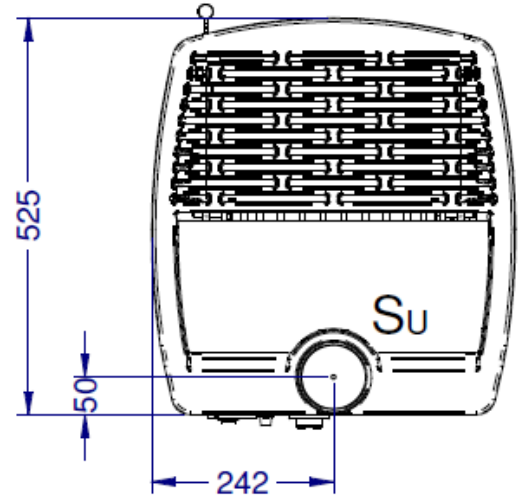
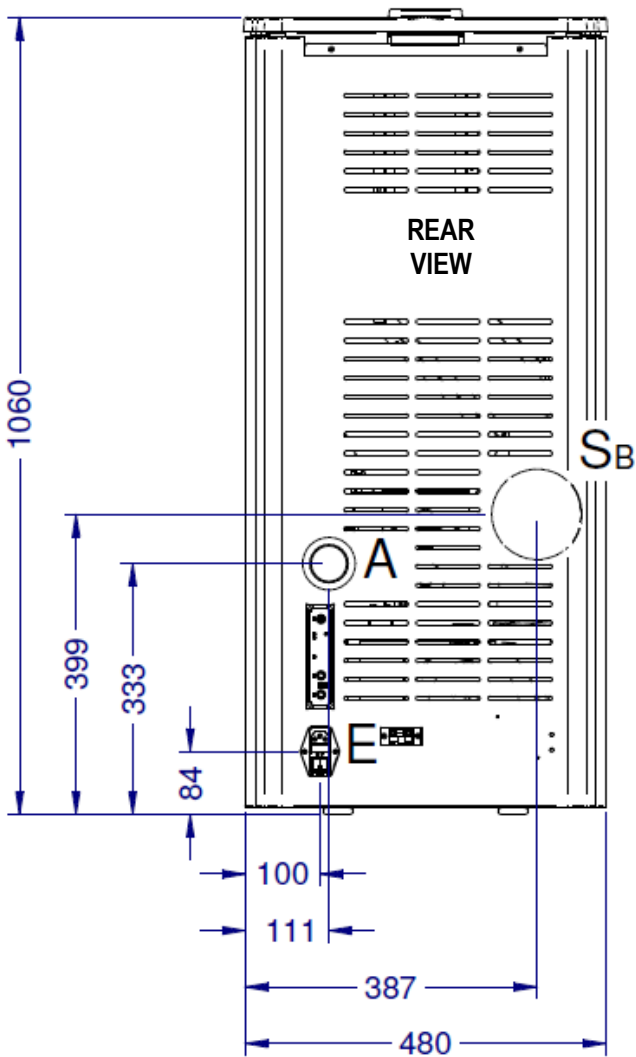


Overall dimensions SOFT 80



Connections data sheet SOFT 80



Description of connections

|  |         |
|--|---------|
| A = Intake pipe                        | 50 mm   |
| S <sub>b</sub> = Rear Flue gas outlet  | 80 mm M |
| S <sub>u</sub> = Upper Flue gas outlet | 80 mm F |
| E = Electricity connection             |         |