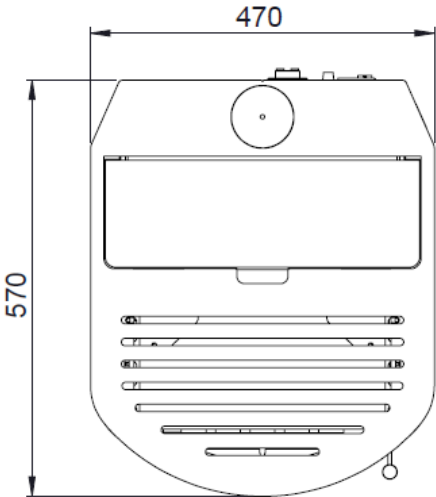
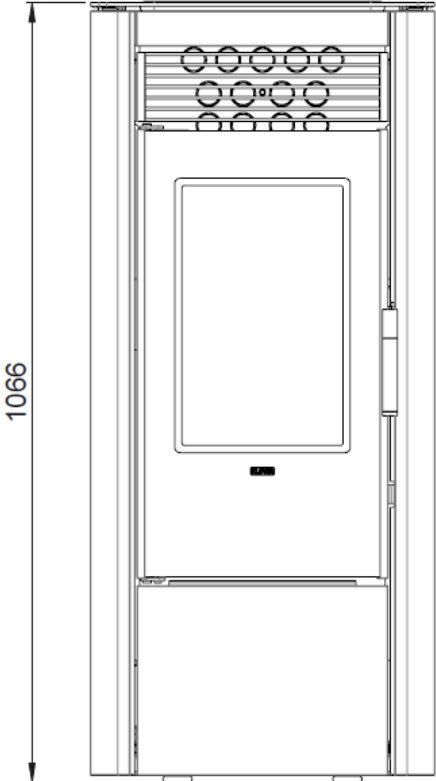
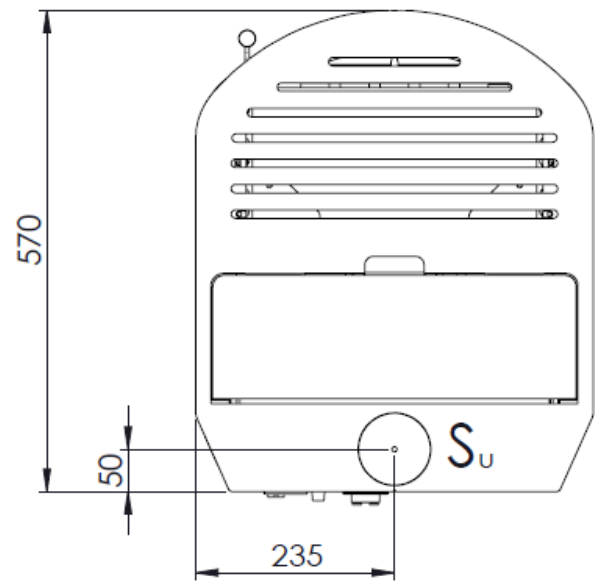
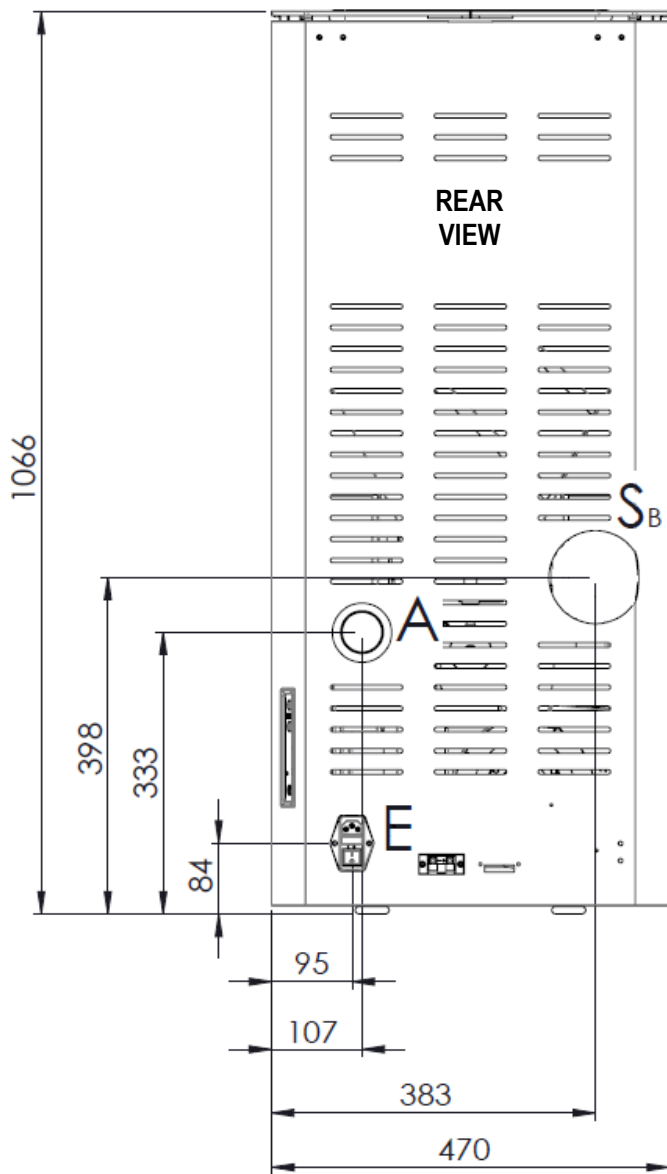


Overall dimensions REA 100



Connections data sheet REA 100



Description of connections

A = Intake pipe	50 mm
S_b = Rear Flue gas outlet	80 mm M
S_u = Upper Flue gas outlet	80 mm F
E = Electricity connection	