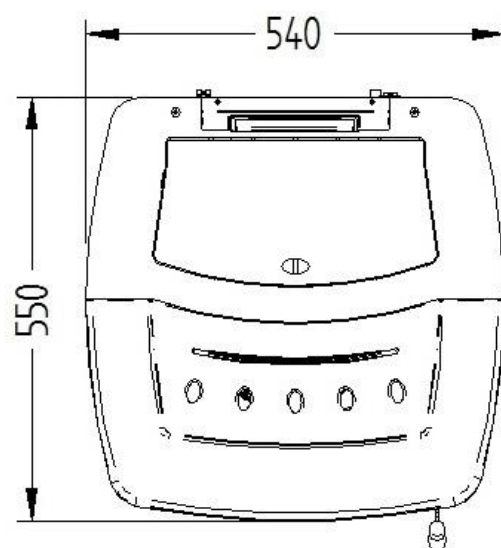
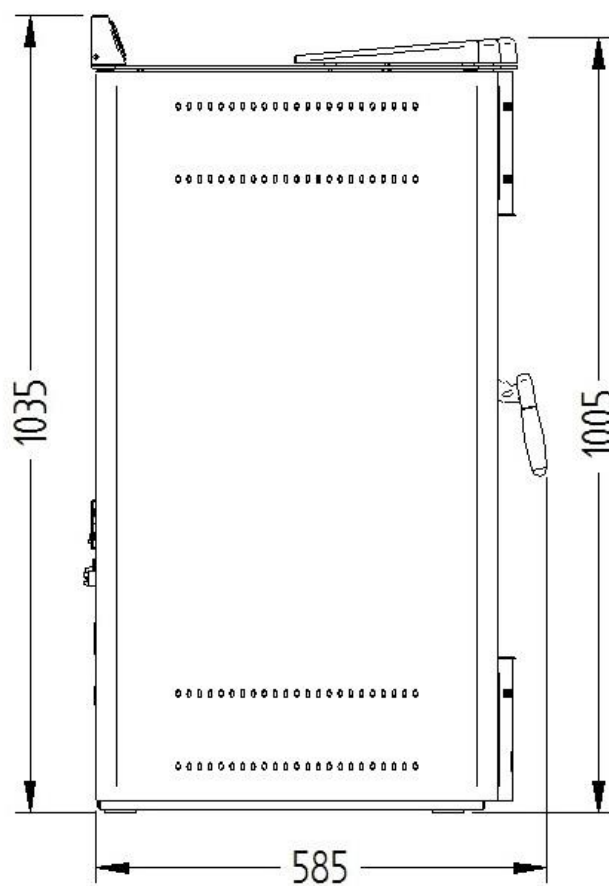
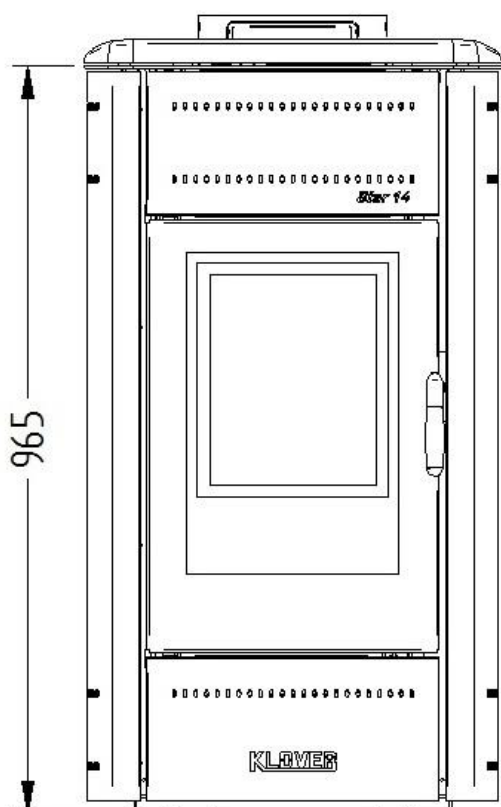
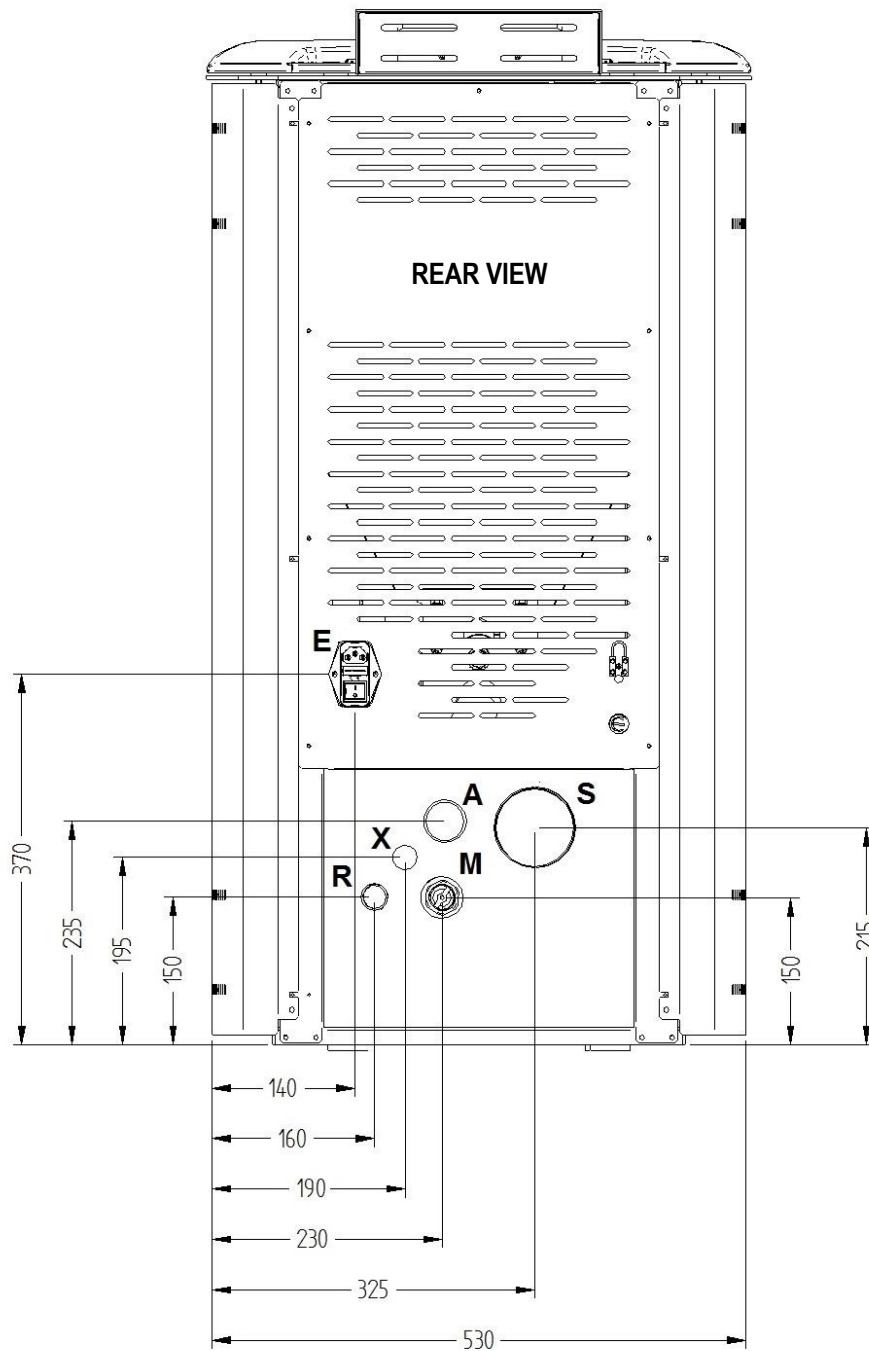


## Overall dimensions



## Connections data sheet



## Description of connections

M = System Delivery	3/4" F
R = System Return	3/4" M
X = Safety valve drain	1/2" F
A = Intake pipe	43 mm
S = Flue gas outlet	80 mm M
E = Electricity connection	