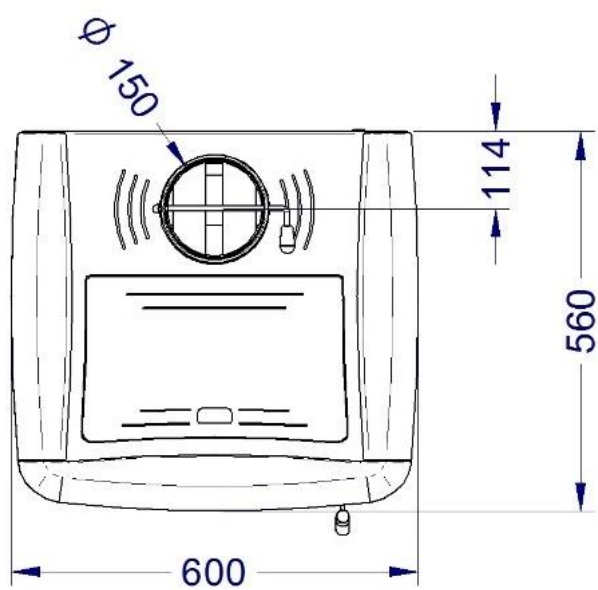
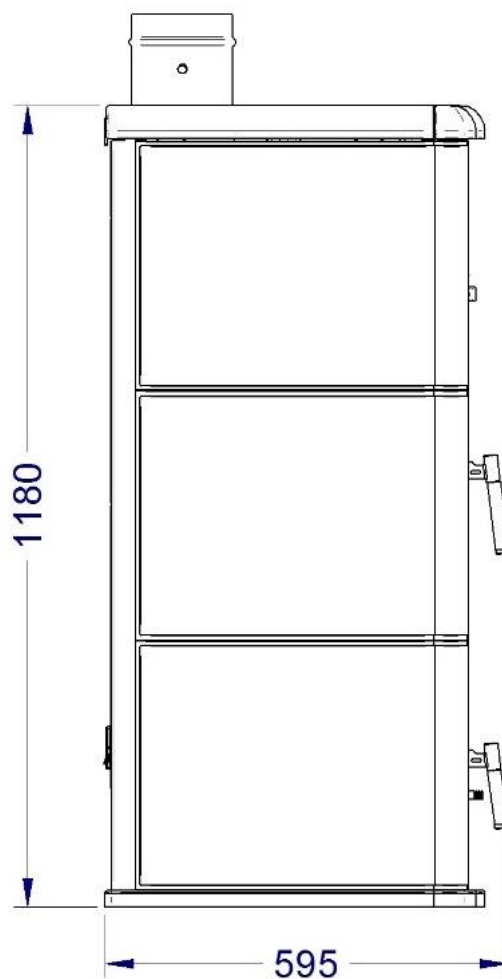
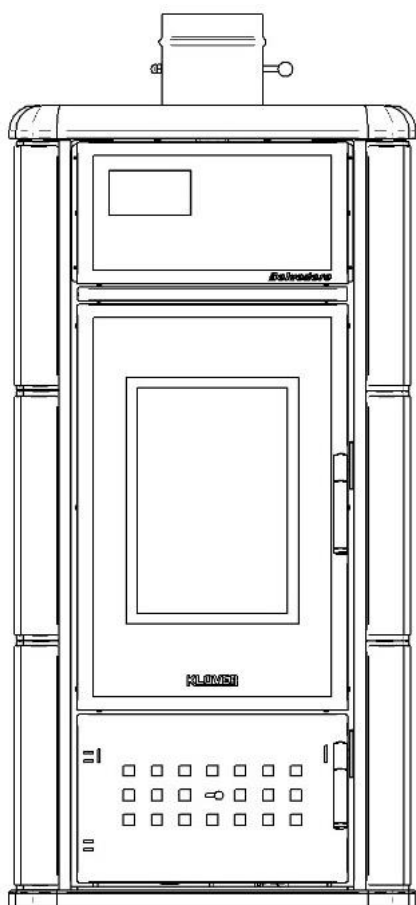
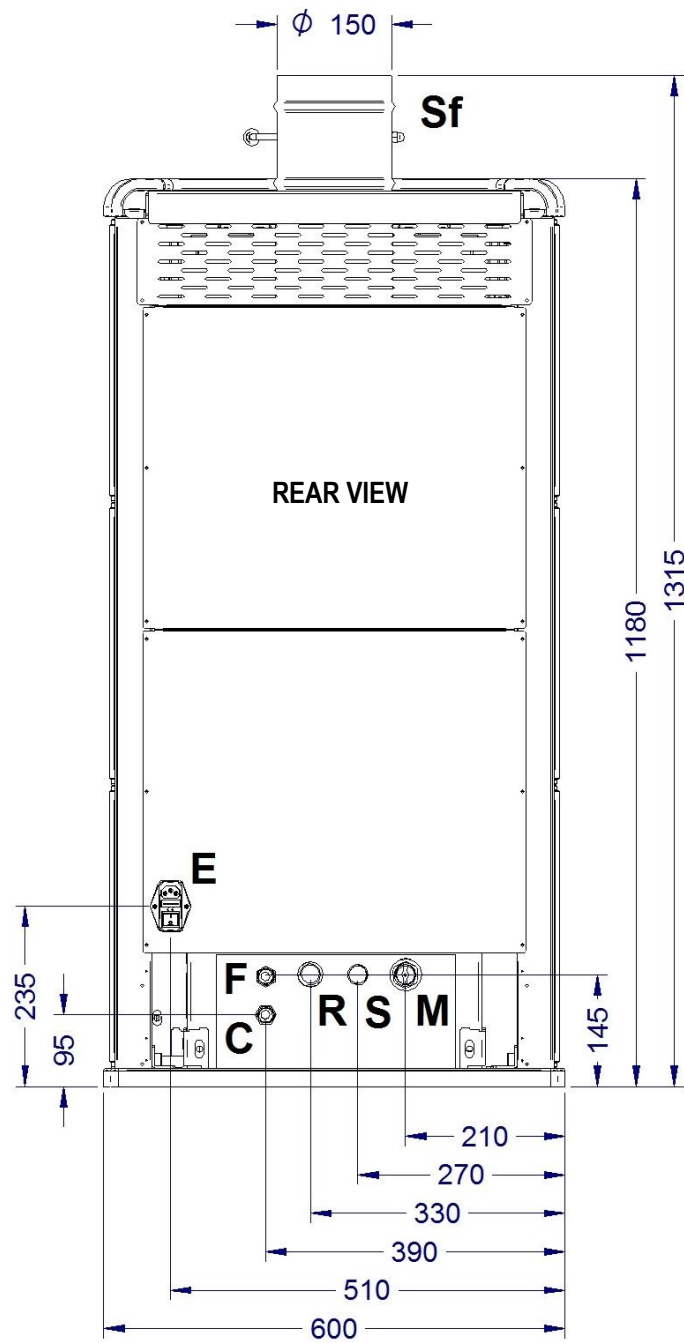


Overall dimensions



Connections data sheet



Description of connections		
M = System Delivery		3/4" F
R = System Return		3/4" F
F = Domestic cold water inlet (on prepared models only) and boiler unit and system load		1/2" M
C = Domestic hot water outlet (on prepared models only)		1/2" M
S = Boiling discharge		3/4" M
Sf = Flue gas outlet		150 mm M
E = Electricity connection		