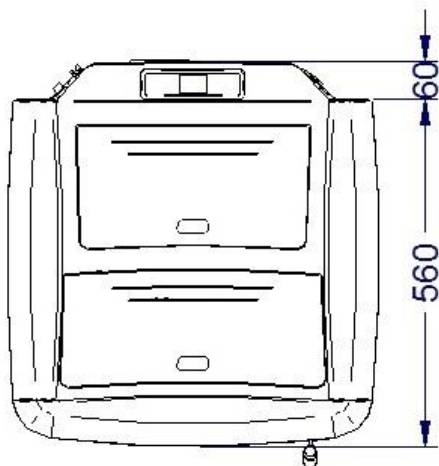
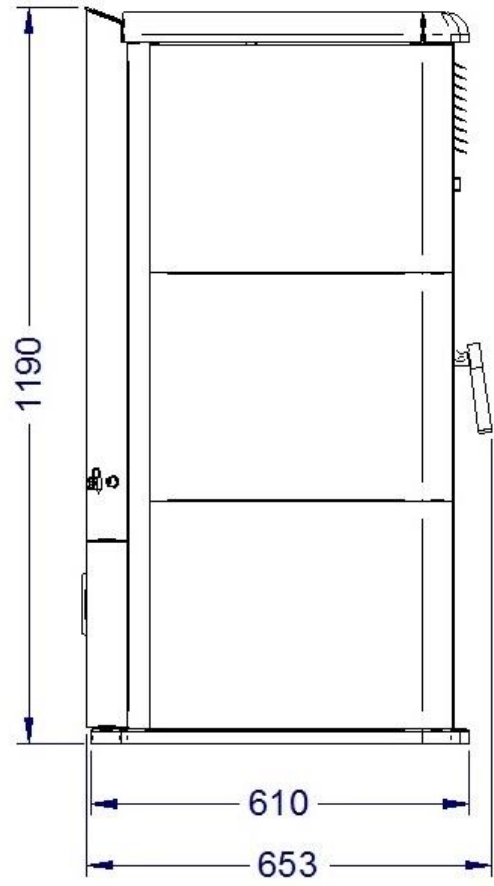
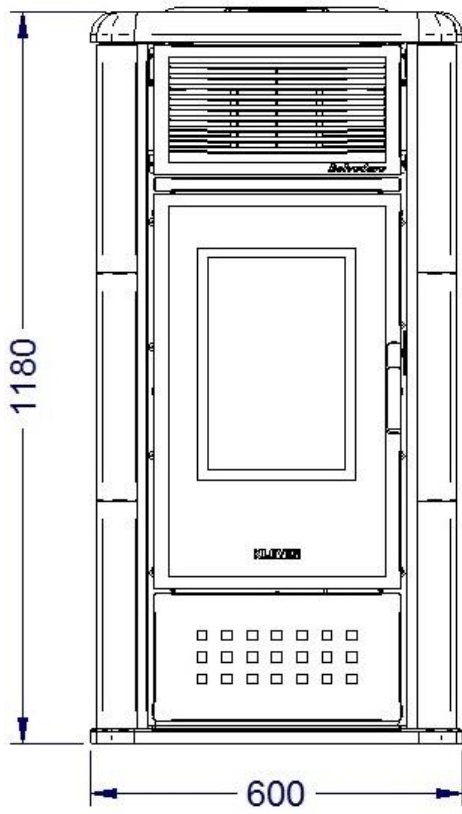
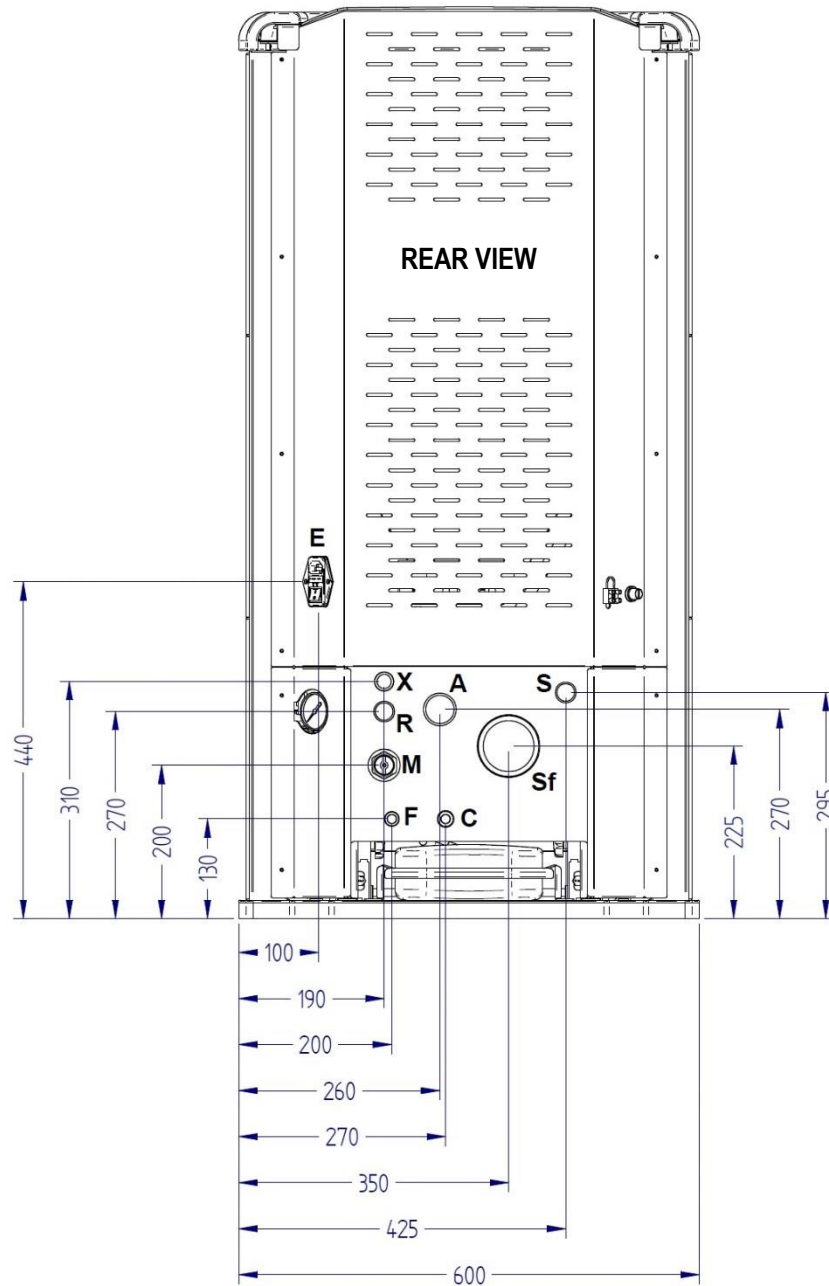


**Overall dimensions**

Connections data sheet



Description of connections

<b>M</b> = System Delivery	<b>3/4" F</b>
<b>R</b> = System Return	<b>3/4" M</b>
<b>F</b> = Domestic cold water inlet (on prepared models only) and boiler unit and system load	<b>1/2" M</b>
<b>C</b> = Domestic hot water outlet (on prepared models only)	<b>1/2" M</b>
<b>X</b> = Safety valve drain	<b>1/2" F</b>
<b>S</b> = Boiling discharge	<b>3/4" M</b>
<b>A</b> = Intake pipe	<b>43 mm</b>
<b>Sf</b> = Flue gas outlet	<b>100 mm M</b>
<b>E</b> = Electricity connection	