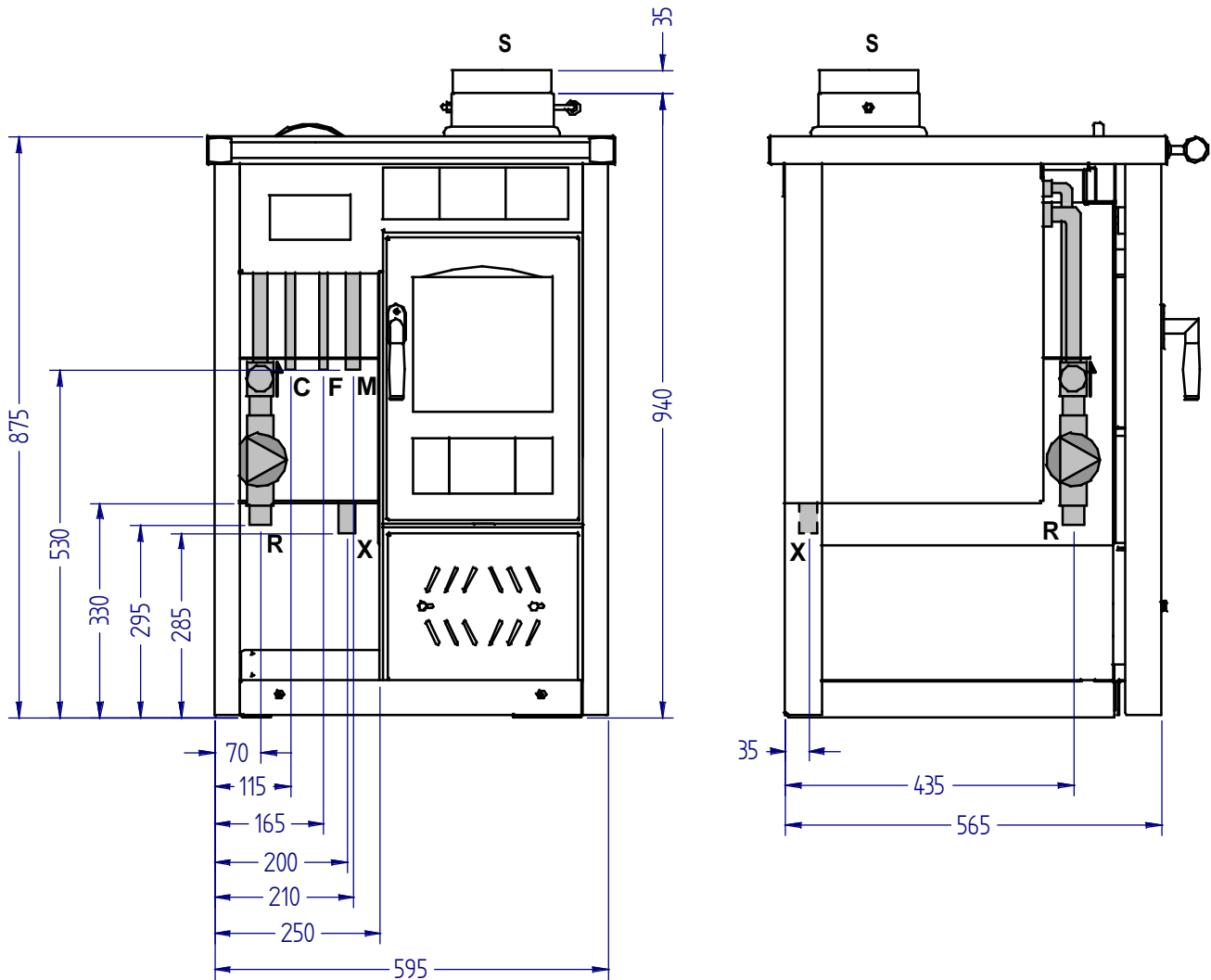


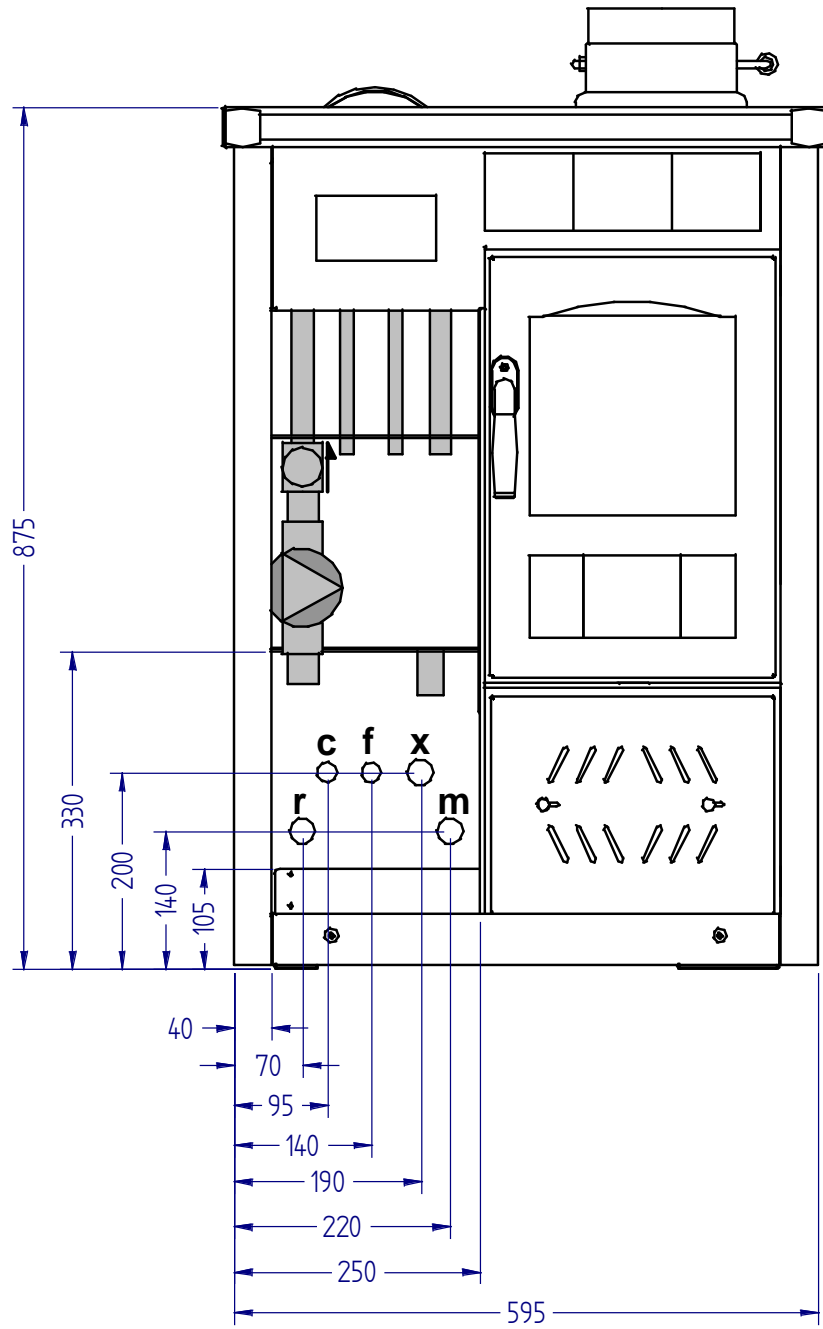
Connections data sheet



Description of connections

M = Heating system flow	3/4" M
R = Heating system return	3/4" F
F = Domestic cold water inlet (on prepared models only)	1/2" M
C = Domestic hot water outlet (on prepared models only)	1/2" M
X = Boiling discharge	3/4" M
S = Flue gas outlet	150 mm M

Waal Set-up



Description of connections

m = Heating system flow	3/4"
r = Heating system return	3/4"
f = Domestic cold water inlet (on prepared models only)	1/2"
c = Domestic hot water outlet (on prepared models only)	1/2"
x = Boiling discharge	3/4"

Upper view

