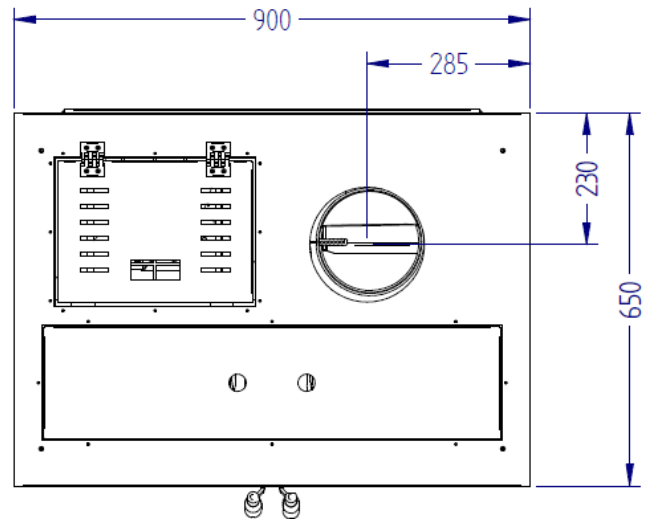
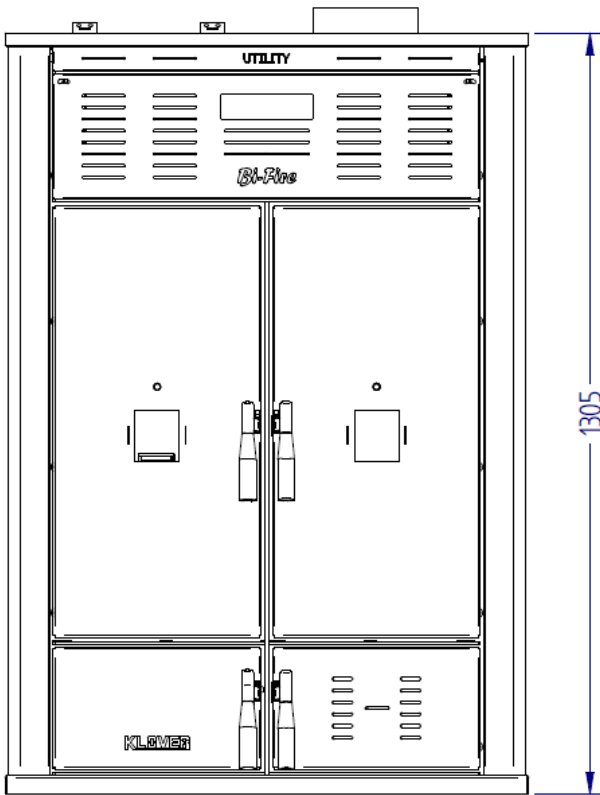
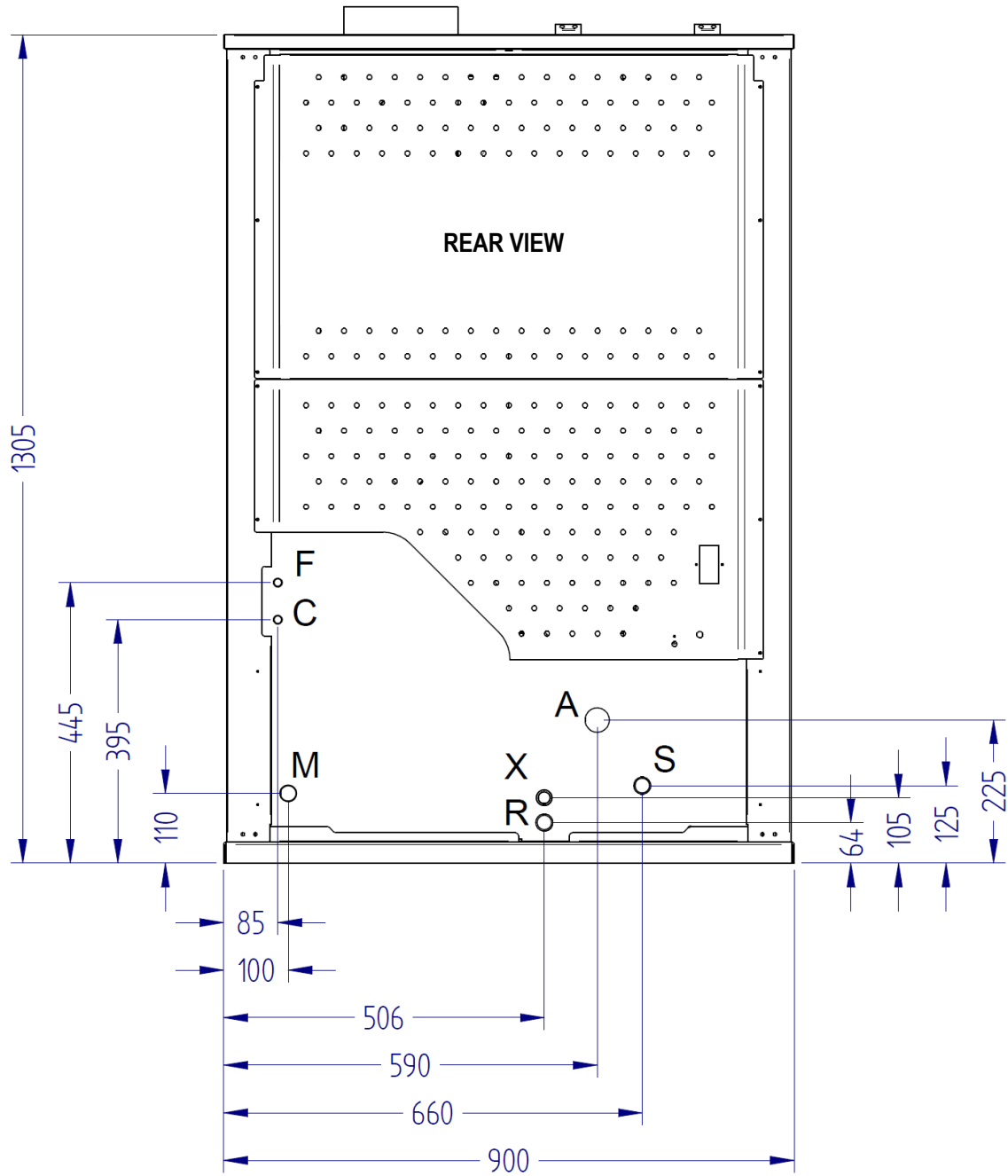


Overall dimensions



Connections data sheet



Description of connections

M = System Delivery	3/4" F
R = System Return	3/4" M
F = Domestic cold water inlet (on prepared models only) and boiler unit and system load	14 mm
C = Domestic hot water outlet (on prepared models only)	14 mm
S = Boiling discharge	3/4" M
X = Safety valve drain	1/2" F
A = Intake pipe (pellet side)	43 mm
Flue gas outlet	180 mm M